

UpStoneEvolve

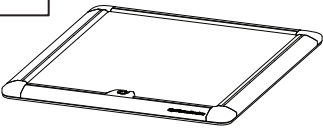
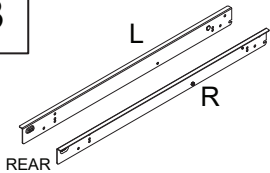
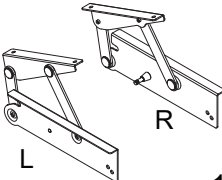

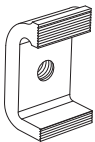
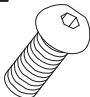


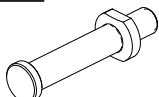
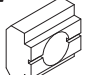
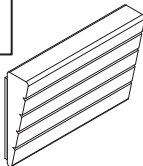
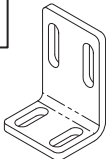




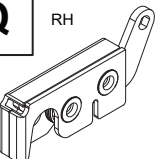
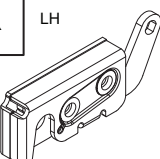



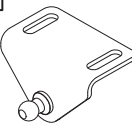
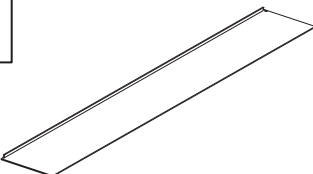
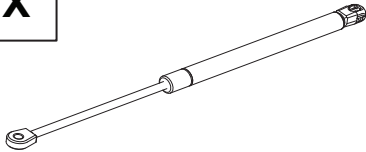
INSTALLATION INSTRUCTION MANUAL

TOYOTA HILUX DC/XC REVO 2016+

EVOS450 - EVOS451

 COVER EVOS450-451

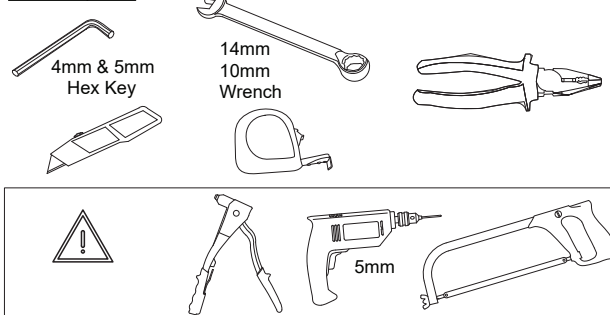
 KIT450-451 RLBF

<p>A</p>  <p>1X</p>	<p>B</p>  <p>1X</p>	<p>C</p>  <p>1X</p>	<p>D</p>  <p>2X</p>		
<p>E</p>  <p>Incl. kit 610 4X</p>	<p>F</p> <p>M8x25mm</p>  <p>Incl. kit 610 4X</p>	<p>G</p> <p>M8X16 Stainless Steel Washer</p>  <p>Incl. kit 607/610 10X</p>	<p>H</p> <p>M8 Stainless Steel Spring Washer</p>  <p>Incl. kit 610 2X</p>	<p>I</p>  <p>Incl. kit 610 2X</p>	<p>J</p>  <p>Incl. kit 610 2X</p>
<p>K</p>  <p>Incl. kit 610 4X</p>	<p>L</p>  <p>x2 Incl. kit 607 2X</p>	<p>M</p> <p>M8 Nylock</p>  <p>x4 Incl. kit 607 4X</p>	<p>N</p> <p>M6X16</p>  <p>x12 Incl. kit 607 12X</p>	<p>O</p> <p>M6X13 mm Zinc</p>  <p>x12 Incl. kit 607 12X</p>	<p>P</p> <p>M6 Stainless Steel Spring Washer M6X10</p>  <p>x12 Incl. kit 607 12X</p>
<p>Q</p> <p>RH</p>  <p>Incl. kit 607 1X</p>	<p>R</p> <p>LH</p>  <p>Incl. kit 607 1X</p>	<p>S</p> <p>M5 Cable Bolt, Washer & Dome Nut</p>  <p>Incl. kit 607 2X</p>	<p>T</p>  <p>Incl. kit 607 2X</p>	<p>U</p>  <p>2X</p>	<p>V</p>  <p>2X</p>
<p>W</p>  <p>1X</p>	<p>X</p> <p>Gas springs</p>  <p>2X</p>				

Note 1: If at any stage of installation you find your sportlid to be an unacceptable fit please contact the manufacturer before continuing.

Note 2: If required, use Under Rail Bed Liner only. **NOT FOR USE WITH OVER RAIL BED LINER!**

Tools Required:

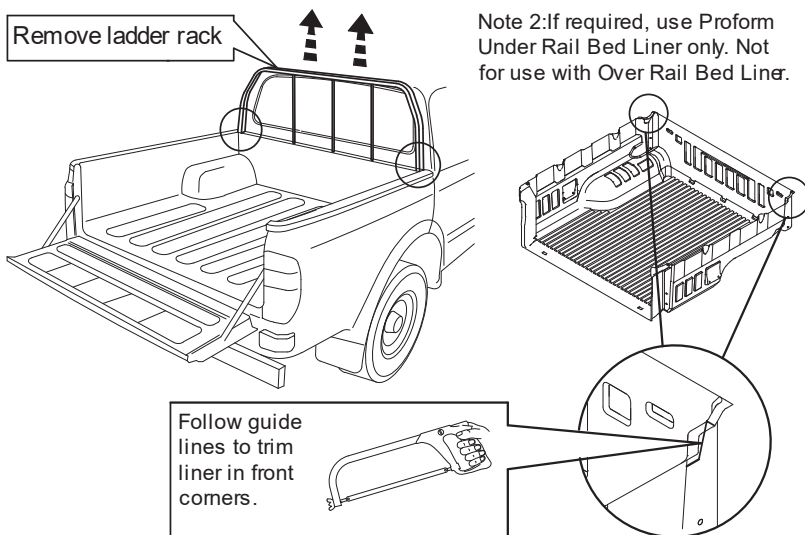


Fitting Kit Number	Product	Revision	Date	Page
EVOS450/EVOS451	TOYOTA HILUX	2	16-07-2024	1

1

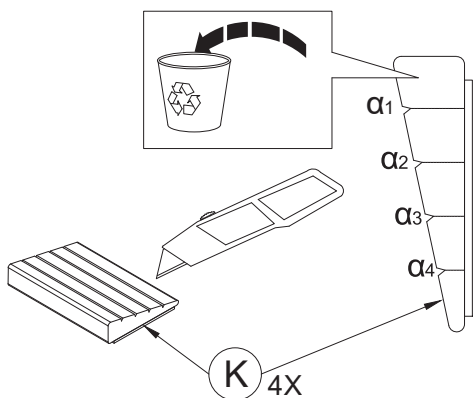
Remove ladder rack

Note 2: If required, use Proform Under Rail Bed Liner only. Not for use with Over Rail Bed Liner.



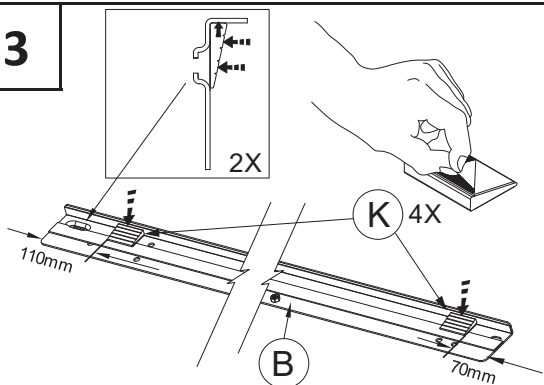
Follow guide lines to trim liner in front corners.

2

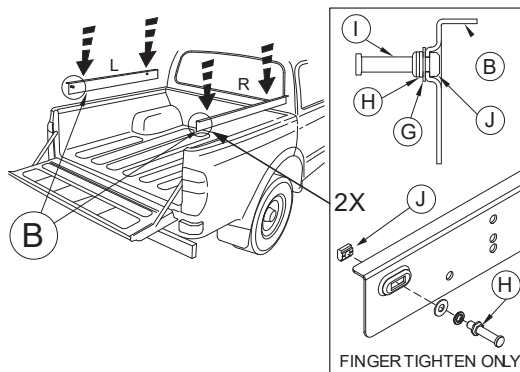


Vehicle Model	α
Toyota Hilux Revo 2016+ Double & Extra Cab	2

3

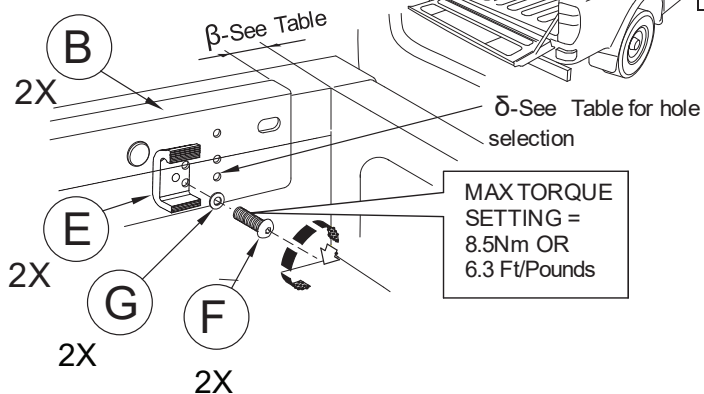


4

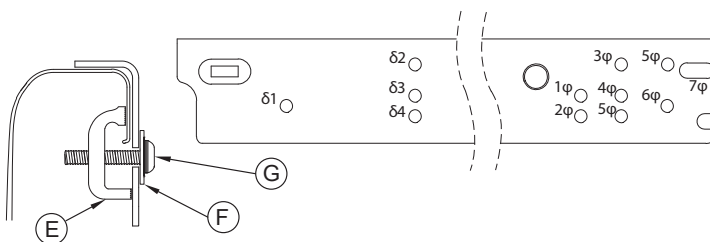


5

Place front of side mounting brackets back from inside corners of the cargo box - See table for measurement



Vehicle Model	β	δ	φ
Toyota Hilux Revo 2016+ Double & Extra Cab	67 mm	4	3



Fitting Kit Number

Product

Revision

Date

Page

EVOS450/EVOS451

TOYOTA HILUX

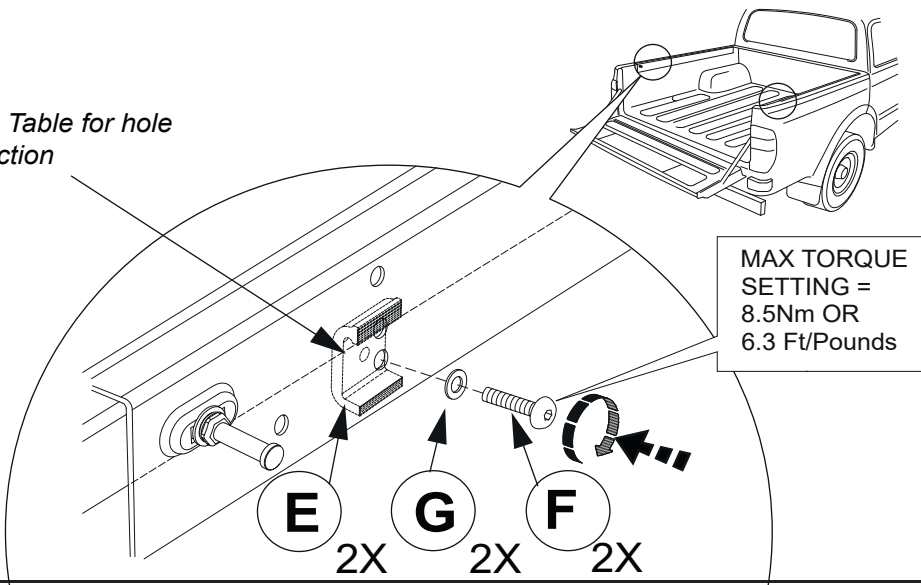
2

16-07-2024

2

6

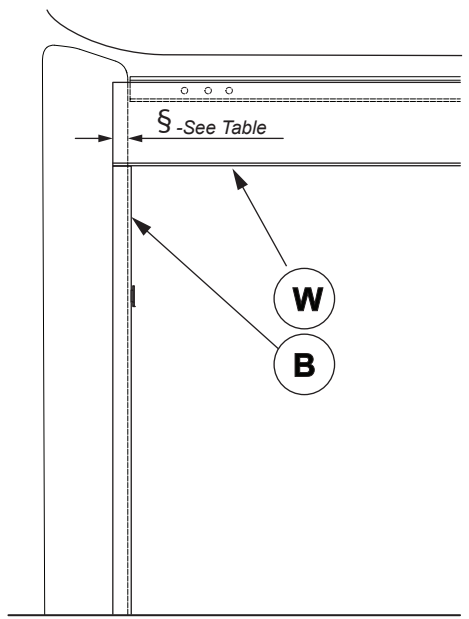
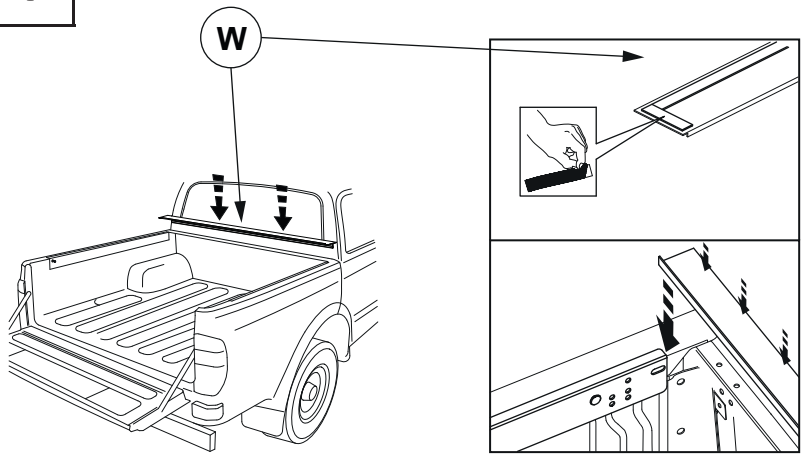
δ - See Table for hole selection



MAX TORQUE SETTING =
8.5Nm OR
6.3 Ft/Pounds

E 2X **G** 2X **F** 2X

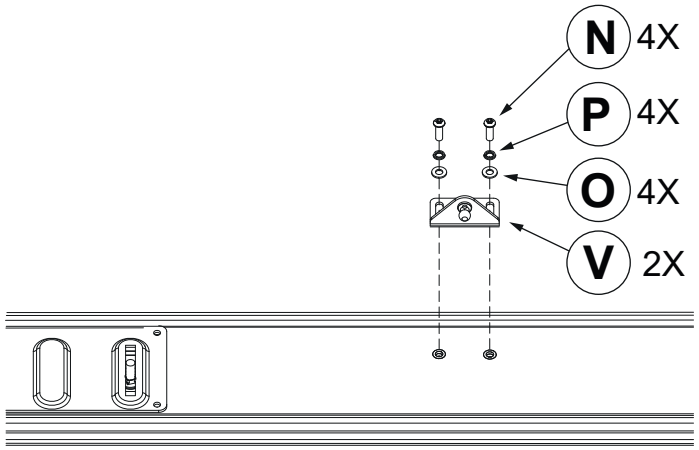
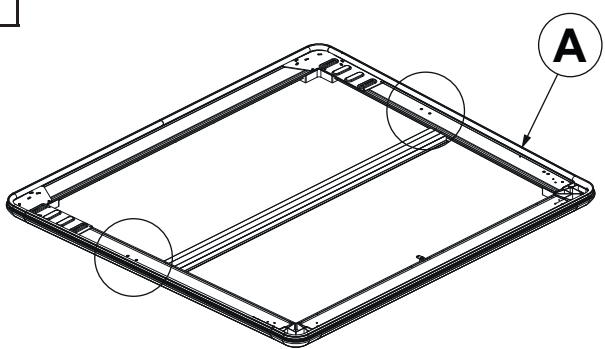
7



Vehicle Model	δ
Toyota Hilux Revo 2016+ Double & Extra Cab	34mm

DO NOT apply below 15°C.
Apply pressure to part. Adhesive is pressure activated.
Allow 3hrs minimum to cure before installing lid

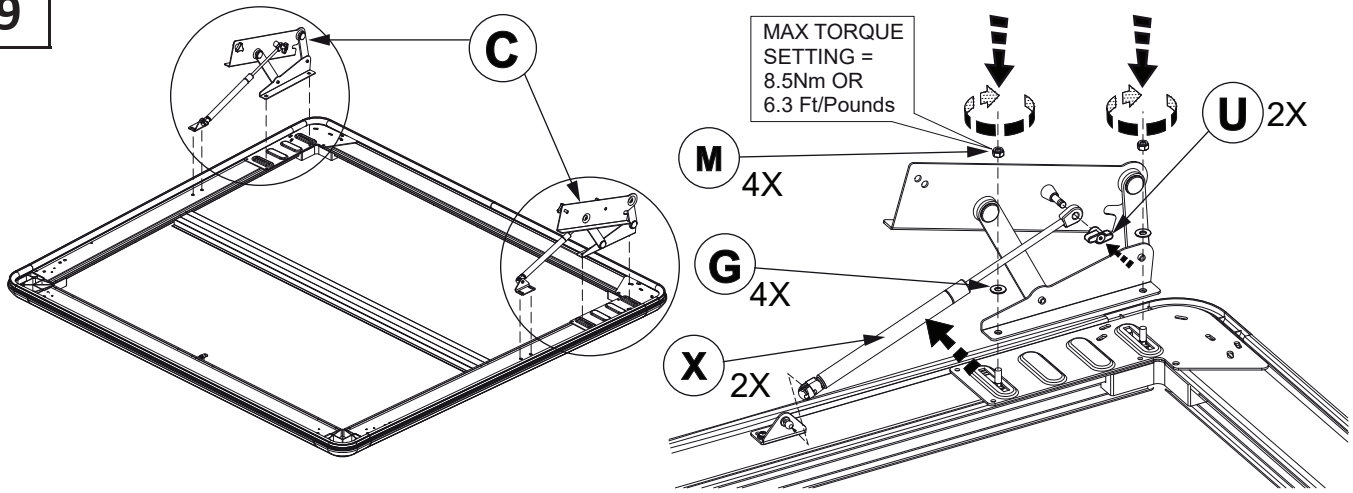
8



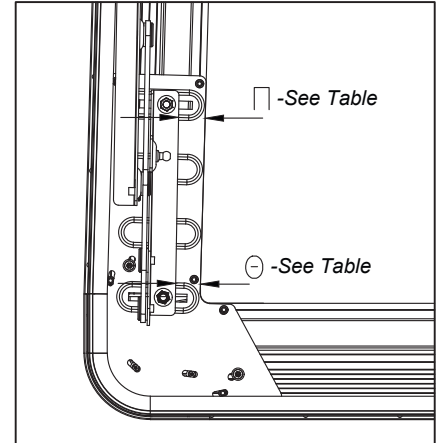
Fit

Fitting Kit Number	Product	Revision	Date	Page
EVOS450/EVOS451	TOYOTA HILUX	2	16-07-2024	3

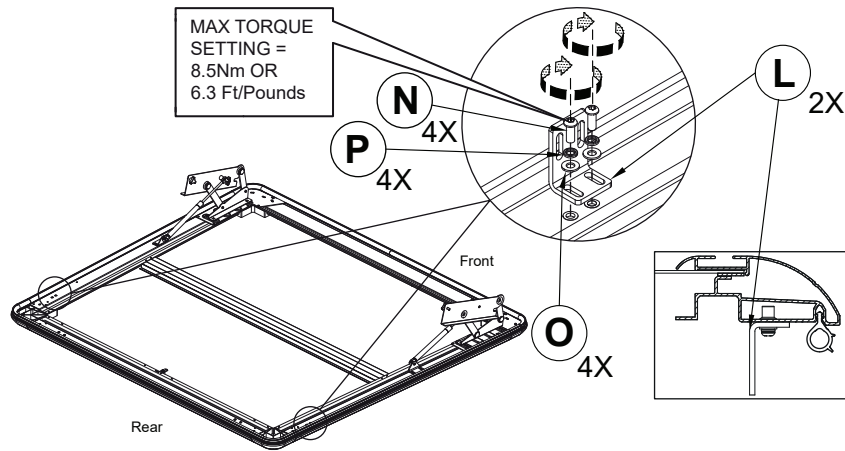
9



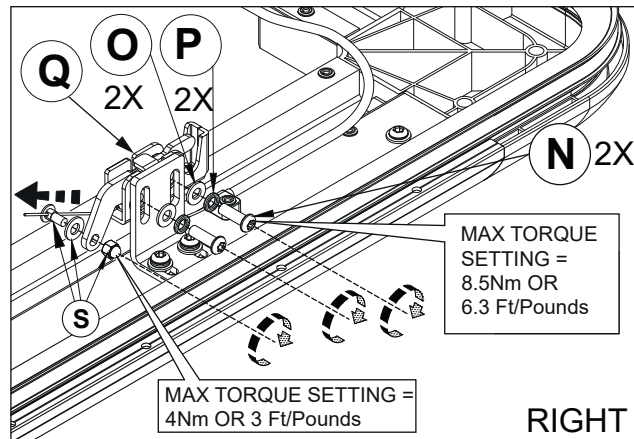
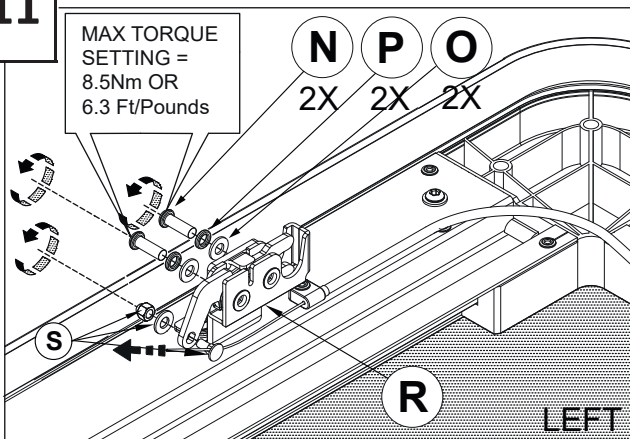
Vehicle Model	Π	Θ	Σ
Toyota Hilux Revo 2016+ Double & Extra Cab	40mm	40mm	-



10



11



Fitting Kit Number

Product

Revision

Date

Page

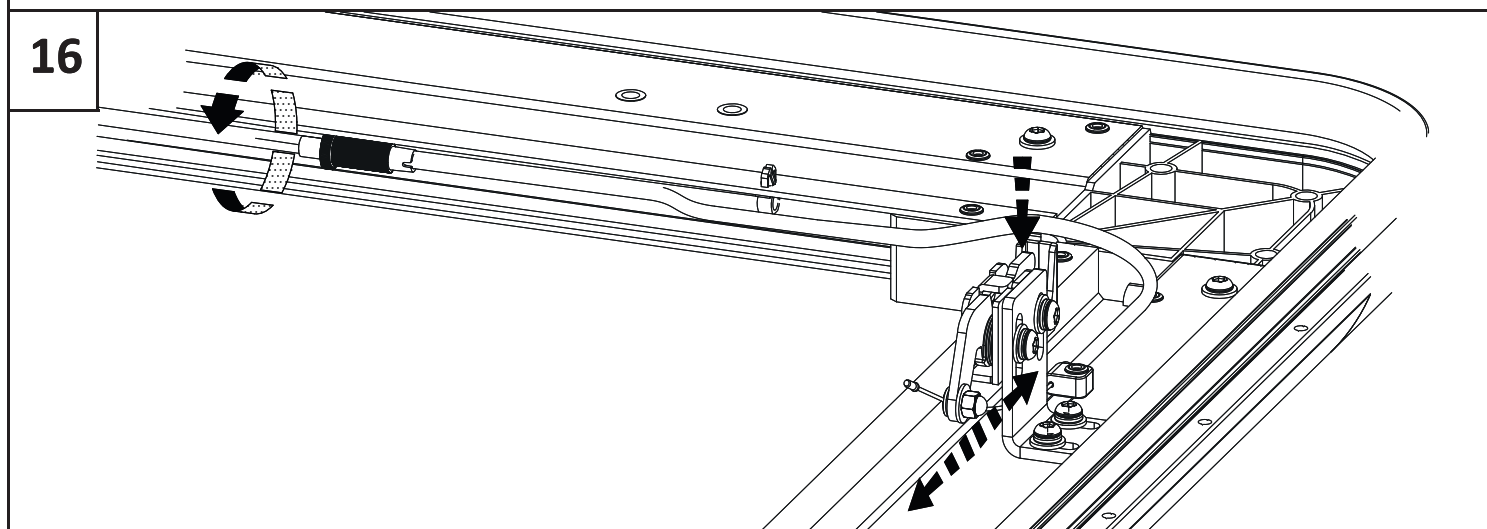
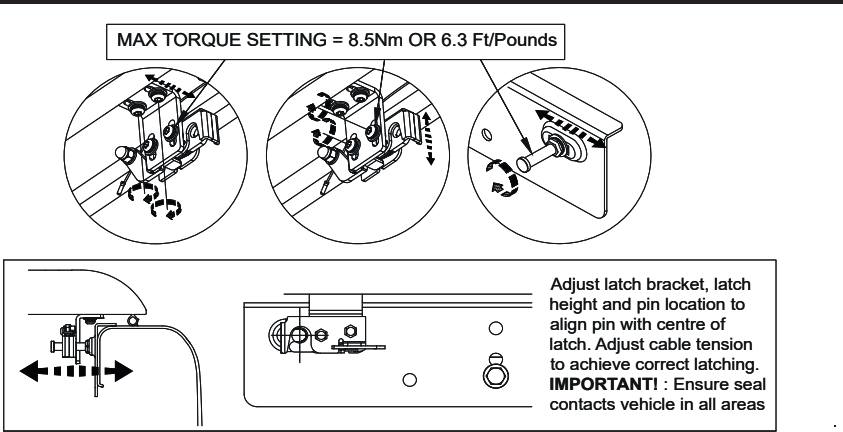
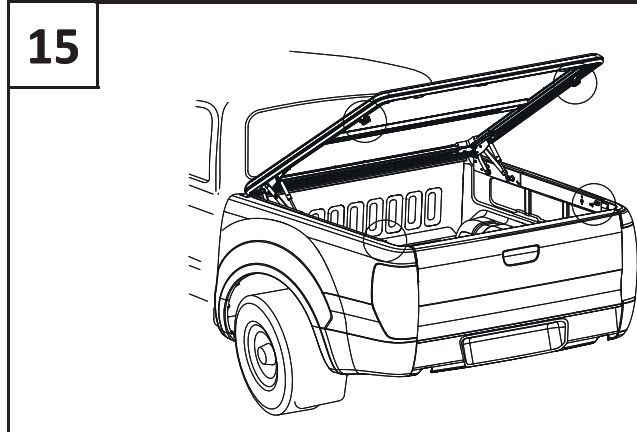
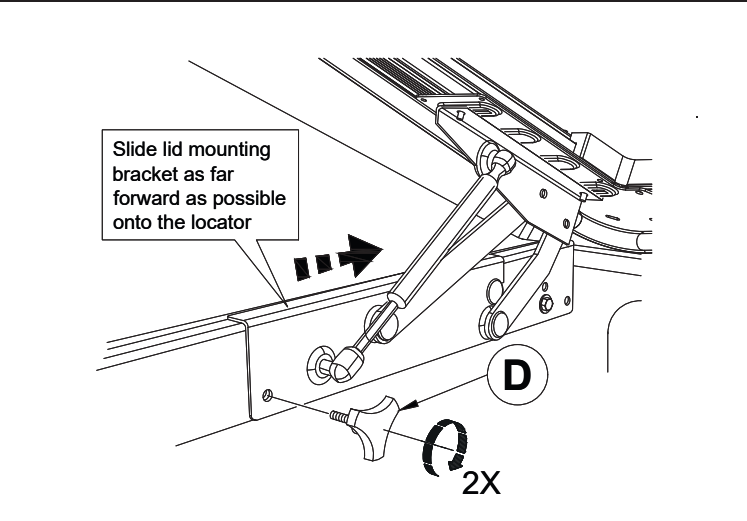
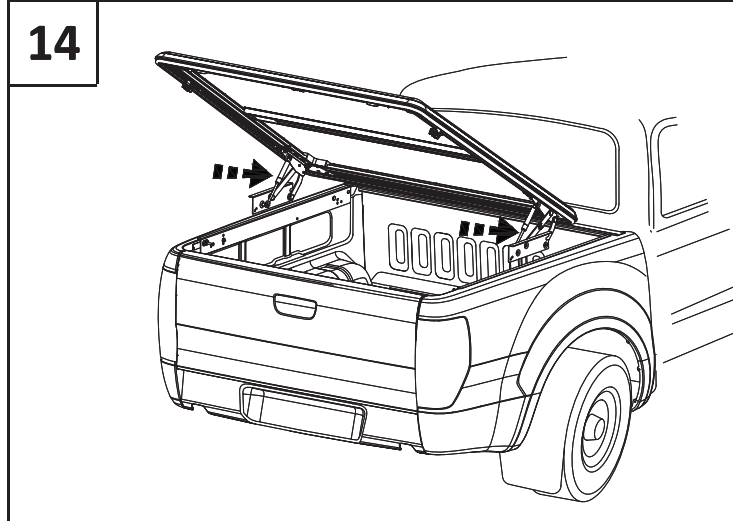
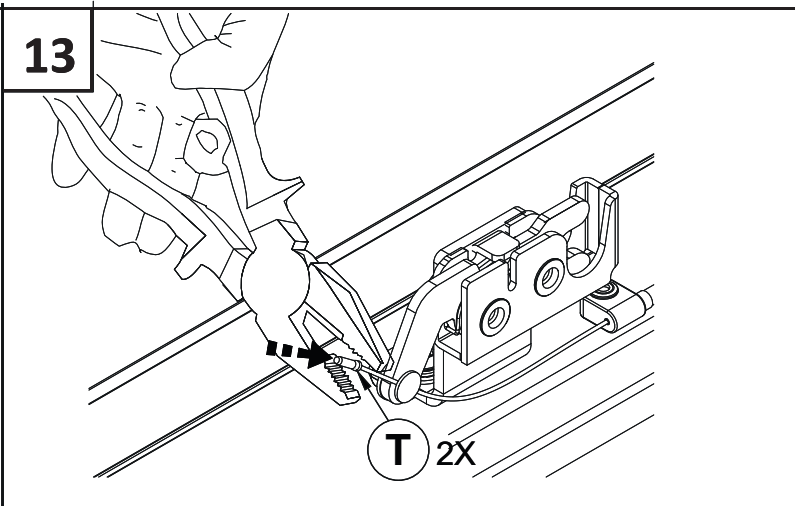
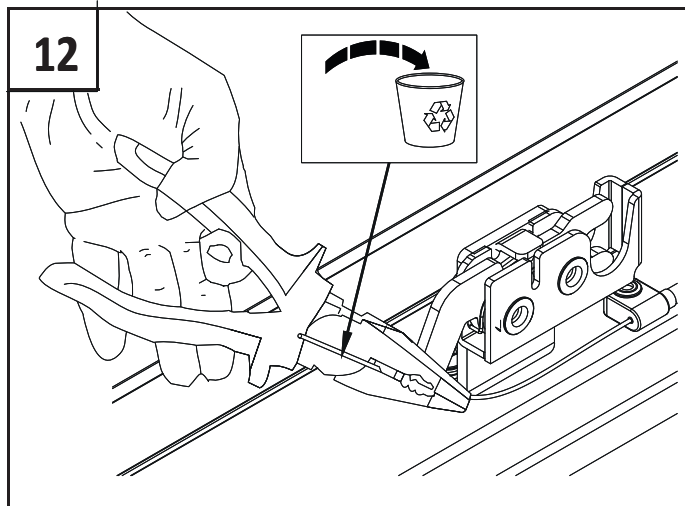
EVOS450/EVOS451

TOYOTA HILUX

2

16-07-2024

4

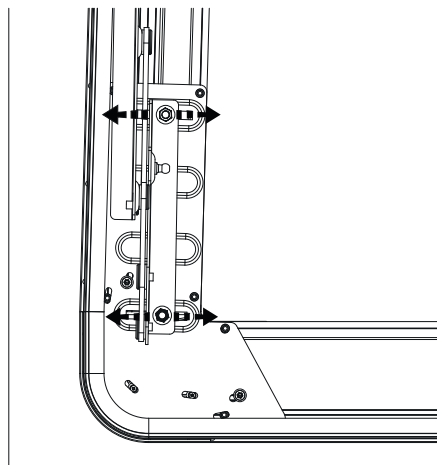
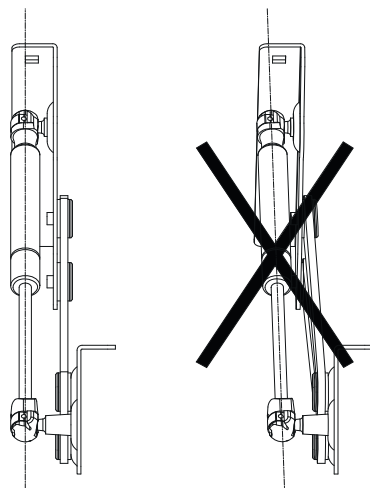


Fitting Kit Number	Product	Revision	Date	Page
EVOS450/EVOS451	TOYOTA HILUX	2	16-07-2024	5

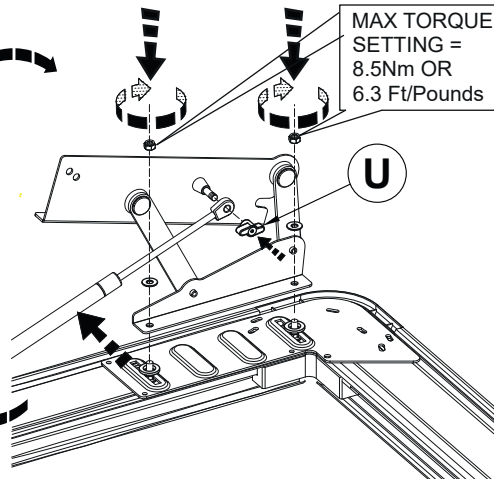
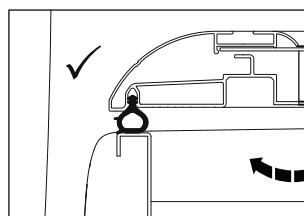
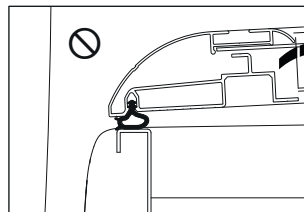
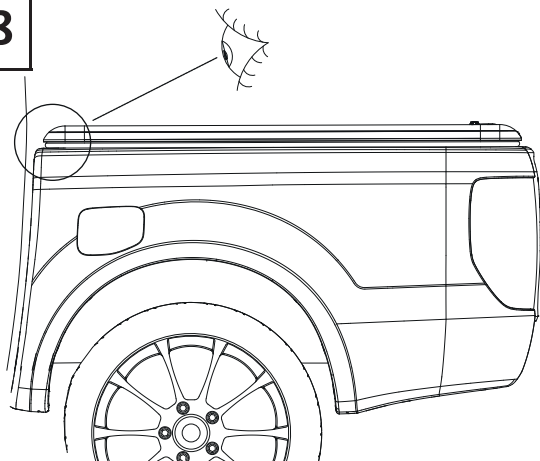
17



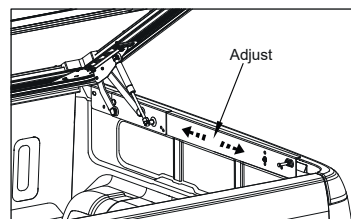
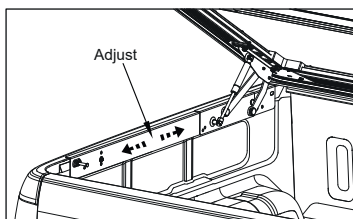
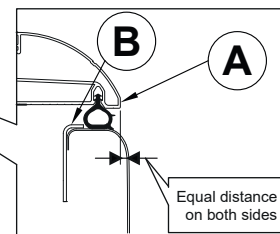
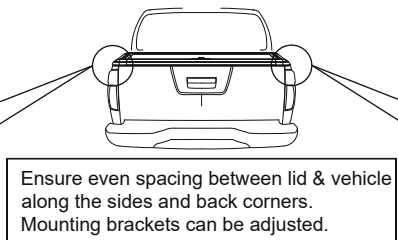
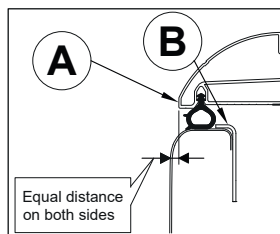
Insure hinge is not twisted.
Adjust connection to lid if nessessary.



18



19



Fitting Kit Number

Product

Revision

Date

Page

EVOS450/EVOS451

TOYOTA HILUX

2

16-07-2024

6

UpStoneEvolve



CAUTION!

- NEVER allow people or animals under the closed cover
- Do not place unsealed solvents or chemicals under the cover
- Do not stand or place heavy objects on the cover
- Do not open lid when under load.
- Close the cover before operating the vehicle
- Do not allow oil, solvents or chemicals to contact the cover
- Clean only with a mild detergent and water solution

After installation carefully and thoroughly clean all debris from the inside of the cargo box.
Retain these instructions for future reference

<http://www.upstone.eu>

info@upstone.fr

Fitting Kit Number	Product	Revision	Date	Page
EVOS450/EVOS451	TOYOTA HILUX	2	16-07-2024	7